



# 2026 Product Catalog



**The Authority in Planter Attachments**





Planting system.....	3-4
Hub and Bearing Assemblies.....	5
Wheels Selection.....	6
Floating Row Cleaner Options and Versions.....	7-9
Floating Row Cleaners for Coulters.....	10
Parallel Link Floating Row Cleaners.....	11
Narrow Floating Row Cleaners.....	12
Floating Row Cleaners without Coulters.....	13
NEW Kronos BA1350 Floating Row Cleaner.....	14
SmartClean Row Cleaner Adjustment system.....	15-16
Combination Floating Row Cleaners and Fertilizer Openers.....	17-18
Unit-Mounted Fertilizer Openers.....	19
NEW Walker Frame Mounted Row Cleaner.....	20-21
Rigid Mounted Pin Adjust Row Cleaners.....	22
Cupped Closing Wheels.....	23
Spading Closing Wheels & Options.....	24-25
<i>fCrusher</i> Closing Wheel.....	26-27
Second Stage Closer.....	28
<i>fCrumbler</i> for Second Stage Closer.....	29
Case IH Closing Wheels & V-Style Closing Kit Update.....	30-31
Grain Drill Closing Wheels.....	32
Weight Transfer System.....	33-35
Notes.....	36-38
Warranty.....	37





## Row Cleaning Systems

Residue clearing wheels and side treader wheels clean crop residue, dirt clods and other obstacles from the row in order to improve:

- Furrow cleaning, for improved seed-to-soil contact
- Planter row unit ride, for less bounce and twisting of unit
- Ease of disc v-opener cutting by lightly tilling the seed furrow
- Consistency of emergence by allowing soil to warm up sooner

**ISOBUS  
Compatible!**

## Smart Clean™

### Row Cleaner Adjustment System

The exclusive Martin-Till® Smart Clean™ Row Cleaner Adjustment System provides an easy-to-use mobile or ISOBUS app to allow the operator to raise and lower floating row units on the go by varying the amount of air pressure in the cylinders. Benefits include:

- Enhanced row unit ride
- Improved ability to properly clean the soil ahead of seed furrow to reduce residue in furrow
- Wireless control allows for less equipment in the cab
- 1 psi increments allow for more precise row cleaner control
- Eliminates dangerous, time-consuming manual row cleaner adjustments
- Ability to lift up to reduce furrowing in loose soil or push down in heavy residue at the press of a button

## Unit-Mounted Fertilizer Openers

Mounted rigidly to the row units, Martin-Till® Unit-Mounted Fertilizer Openers (UMOs) follow the row unit over undulating terrain to place crop nutrients at seed depth either one, two or three inches from the seed furrow. Features and benefits include:

- Integrated design with row cleaner at front of row unit
- Low- to high-volume rate options
- Single or dual placement. Dual UMOs allow for yield-enhancing 2 X 3 x 2 fertilizer application
- Place nitrogen and fertilizer below soil surface to reduce off-site movement
- Increase nutrient use efficiency, early-season vigor and yields







Shown on 16 Row  
JD1770



## Weight Transfer System

Introducing an Innovative Weight Transfer System developed by Martin Industries to assist with re-distributing weight from center of planter to wings. Compaction reduces plant vigor and yield. Shallow or inconsistent planting due to poor control of planter wings also robs yield. Most planters have a “weight problem”. Excess weight in the center of the planter or improper weight distribution is a constant concern.

- In-Cab Control Box—Allows for easy adjustment as you plant
- Kits available for 12, 16 and 24 row 30” and many other modules
- Bolt-On Bracket design (no welding) provides easy installation
- Innovative design transfers load with minimal load on mounting hardware

CNH V-Style closing system update.



Shown with  
BSCW1444C.  
Sold separately.

## Closing Systems

Often overlooked, proper row closing is a key component of a profitable planting program. Martin-Till® Closing wheels, twisted drag chains and 2nd stage options help you close the row for more consistent germination and emergence.

- Close the seed furrow slot properly.
- Reduce infiltration of light, water, air, or chemicals into seed germination zone
- Fracture sidewall compaction to improve root development
- Many options available for different soils and residue levels.

Second Stage Closing system. Fits most OEM closing wheel arms.

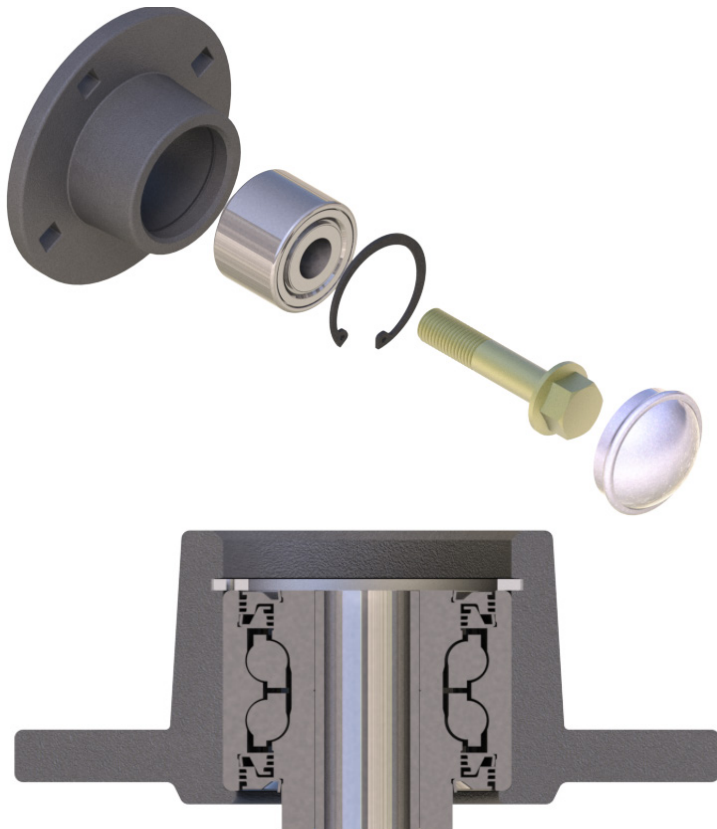
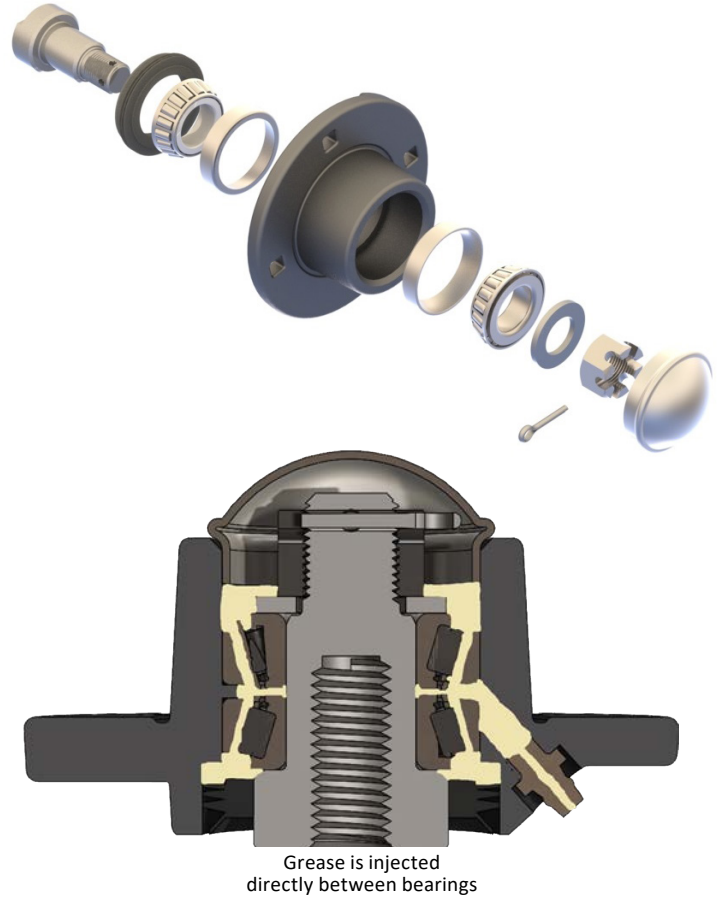


# Hub & Bearing Assemblies

## HA44270D Greaseable Tapered Roller Bearing with 3 lip seal

All Row Cleaners except 1345 use our HA44270D hub, featuring double tapered roller bearings with a triple lip seal designed to be flushed out with grease. No need to worry about over greasing this hub we recommend greasing it annually until grease comes out to flush out contaminants.

Customers often tell us they have planted with their Martin-Till® Row Cleaners for many, many years without needing to change the bearings. Cost savings over time and less in-field or shop labor maintenance are two important reasons farmers respect and choose Martin-Till® again and again.



## CHU44C

### Double Row Ball Bearing with 6 lip seal for 1345 Row Cleaners

- Heavy duty 5205 double row ball bearing
- Maintenance free bearing features a six-lip seal design allows the life of the bearing to be increased over typical two- and three-lip designs, while removing the need for routine maintenance
- Seal design features improved contamination exclusion while maintaining standard envelope dimensions





# Choice of Spike or Razor Wheel

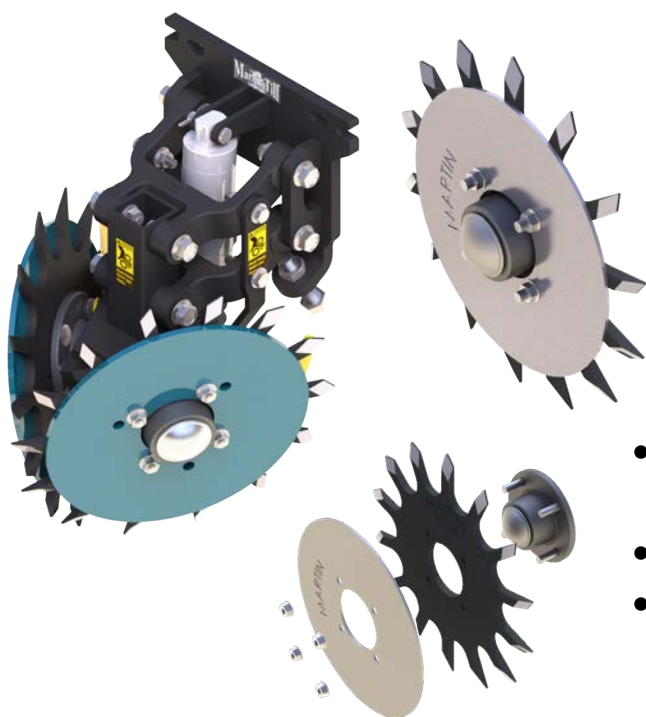


The 13" **Spike** wheel with 14 teeth moves the least amount of soil. The larger soil window between the teeth allows residue to be moved without moving vital soil away from the row center. The spike teeth intersect lightly till the seed zone. It comes in lefts and rights and is from 3/8" heat treated boron steel.



The 12.5" **Razor** wheel with 12 teeth performs excellently in cover crops. It will not move as much soil as competitive products but slightly more than a spike wheel. The angled teeth drop material as the wheel exits the ground preventing wrapping and when combined with our internal deflector it remains wrap free even in standing cover crops. It comes in lefts and rights with full bevel on one side vs competitive products with some bevel on both sides causing theirs to wear blunt much faster. The Razor wheel is made from 1/4" heat treated boron steel.

Add "Z" to end of part numbers to specify Razor Wheel  
example: BD1360Z



## Depth Blade (Filler Plate)

- Proven to reduce wrapping when planting in green or standing cover crops
- Used on both Row Cleaner and Closing systems
- Provides Depth Control and Crimping Action



# Floating Row Cleaner Options

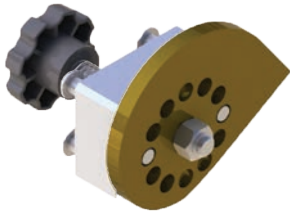


## Side Treader Wheels

**STW04A** 3 and 4 bolt hubs

**STW01K** Kinze 6 bolt hub

A key component for successful planting, aluminum side treader wheels are purchased on over 95% of floating row cleaners and are designed to reduce trenching in soft soils. They also provide traction to help keep the row cleaners turning in loosely worked ground.



## Cam Quick Adjust

**CA03D** 1360

**CA03K** 1360 for Kinze Coulter

**CA45** 1345

Cam adjusters are available for WA1360 and WA1345 row cleaners. They speed up the process of changing the working depth of the row cleaner frames. They are especially beneficial for growers who frequently switch from no-till to conventional tillage and do not have air cylinders.



## Cylinder and Brackets

- Precision Planting CleanSweep Cylinders
- SmartClean & CleanSweep compatible cylinder brackets from Precision Planting & MartinTill



## D-Lock Deflector (Scraper)

**DLD02L or DLD02R**

For use is viney residue, prevents wrapping

**No Deflector**

**Deflector installed**

**Internal Deflectors come standard with all row cleaners.**



# Floating Row Cleaner Styles

WA1360



- **1360 (A-Frame) Floating Row Cleaner**
- 60 degree heavy-duty frame
- Choice of Spike or Razor wheel can be installed intersected or offset
- HA44270D Heavy Duty Greaseable Tapered Roller Bearing Hub with 3 lip seal
- Patent No. 8,631,879, D601,593 and others pending

WA1345



- **1345 (A-Frame) Floating Row Cleaner**
- 45 degree heavy duty frame for narrow rows and high speed planting
- Choice of Spike or Razor wheel can be installed intersected or offset
- CHU44C cast hubs and long life 5205 double row bearing with 6 lip seal
- Smart Clean and Cam adjust compatible

## ACCR1360 Wide or ACCR1345 Narrow Compact Clean Ride™



ACCR1360 Wide

- ACCR1360 Measures less than 14" from the face plate uses HA44270D Heavy Duty Greaseable Tapered Roller Bearing Hub with 3 lip seal
- ACCR1345 Measures less than 16" from the face plate uses CHU44C cast hubs and long life 5205 double row bearing with 3 lip seal
- Over 4" of vertical travel
- Allows for fitting on planters with front frame mounted nitrogen coulters or where full-size row cleaners can't be used due to planter folding/unfolding issues
- Parallel linkage allows for easy floating action, especially when paired with Martin-Till® Smart Clean™ or Precision Planting® Clean Sweep® cylinders
- Factory pre-assembled chassis saves time and makes it a cinch to install
- Choice of Spike or Razor wheel can be installed intersected or offset



ACCR1345  
Narrow

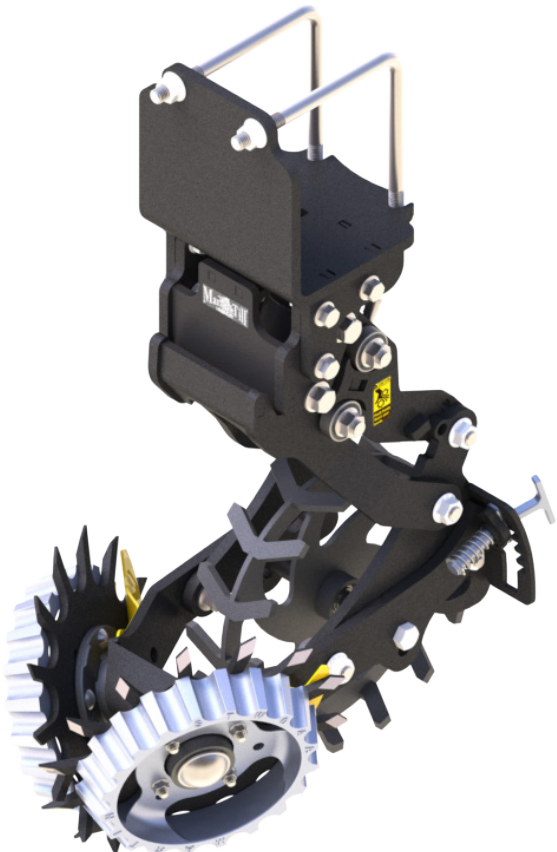


# Floating Row Cleaner Styles



## Kronos™ BA1350 Row Cleaner

- Economical
- Compact 15" Length
- Adjustable Wheel Angle
- Toolless Adjustable Positioning
- Float Mode Rigid Mode
- Choice of Spike or Razor wheel can be installed offset or intersected
- CHU44C cast hubs and long life 5205 double row bearing with 6 lip seal



## Walker™ Walking Tandem, Frame Mounted Row Cleaner

- Walking Tandem Frame-Mounted Design
- Tandem Operation for Enhanced Depth Control
- Dual Air Bags: The Next Generation of Force Adjustment
- Effortless Depth Control with Spring-Loaded T Handle
- Fits JD177x series planters, White 9000 & Kinze 4900
- Choice of Spike or Razor wheel can be installed offset or intersected
- HA44270D Heavy Duty Greaseable Tapered Roller Bearing Hub with 3 lip seal



# Floating Row Cleaner For Coulters



## BDC1360

- Attaches to JD 7200 (and later) series planters with a John Deere unit mounted no-till coulters. It will also install behind the John Deere single disc fertilizer opener (with extended parallel arms)
- Measures 22" from planter face plate to front of row cleaner wheels
- Choice of Spike or Razor wheel can be installed offset or intersected
- HA44270D Heavy Duty Greaseable Tapered Roller Bearing Hub with 3 lip seal
- 6" Row unit set back kits available (USB72)

Shown with optional  
Razor Wheels, Side  
Treader Wheels,  
Cylinder & brackets



## BKC1360 Kinze 2000, 3000

## BK4C1360 Kinze 4000

- Attaches to Kinze planters with a unit mounted no-till coulters
- Measures 22" from planter face plate to front of row cleaner wheels. 6" Row unit set back kits available (USB70)
- Choice of Spike or Razor wheel can be installed offset or intersected
- HA44270D Heavy Duty Greaseable Tapered Roller Bearing Hub with 3 lip seal

## C125R The original Floating Row Cleaner



Basic with no  
options

- Can be combined with most unit mounted coulters
- Choice of Spike or Razor wheel can be installed offset or intersected
- HA44270D Heavy Duty Greaseable Tapered Roller Bearing Hub with 3 lip seal
- Not recommended on JD 1700 series. Contact your Martin sales rep for compatibility



# ACCR1360 Wide / ACCR1345 Narrow

## Compact Clean Ride (CCR) Parallel Link Row Cleaner



ACCR1360 Wide



ACCR1345 Narrow

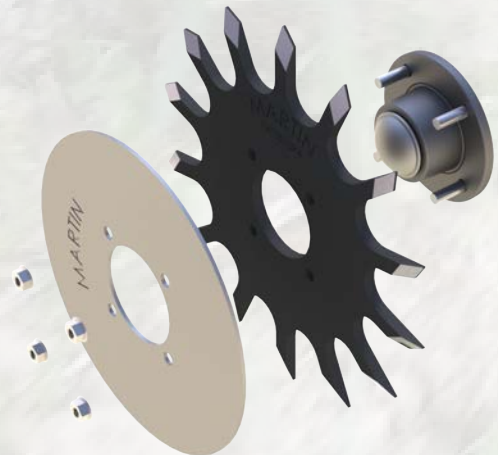


CCR™ improves planter performance with innovative cast parallel linkage design.

- Compact Design
- ACCR1360 has the same stance as our BD1360. Measures less than 14" from the face plate uses HA44270D Heavy duty greaseable tapered roller bearing hub with 3 lip seal
- ACCR1345 Perfect for high speed or narrow rows Measures less than 16" from the face plate uses CHU44C cast hubs and maintenance free long life 5205 double row bearing with 6 lip seal
- Parallel Linkage provides over 4" travel while maintaining a consistent wheel stance when riding over uneven ground
- Compatible with Precision Planting® Conceal® as well as other frame mounted openers
- Integrated Vertical Air Cylinder brackets for Clean Sweep® or Smart Clean™ cylinders purchased separately
- Chassis is assembled at factory for easier installation onto planter row unit
- Ductile cast linkages run on heavy duty hardened oil impregnated bushings
- Choice of Spike or Razor wheels can be set up so wheels offset or intersect. Intersecting Razor wheels tear thru cover crops in seed zone
- Available for most other row units including Case-IH 1200 series, Great Plains and more

### Depth Blade (Filler Plate)

- Proven to reduce wrapping when planting in green or standing cover crops
- Used on both Row Cleaner and Closing systems
- Provides Depth Control and Crimping Action





# 1345 Narrow Floating Row Cleaner

## For use without Coulters

As planters get faster and row width narrower a less aggressive row cleaner is needed. Our 1345 answers this call due to:

- Narrow 45 degree frame, ideal for high speed planting or narrow rows while still clearing path for gauge wheels
- Durable CHU44C Hub with long life 3 lip double row 5205 bearing, see hub page for details
- Choice of Spike or Razor wheel can be set up so wheels offset or intersect. Intersecting Razor wheels tear thru cover crops



BA1345D

BA1345DZ



**BA1345** John Deere 7200 (and later), Case-IH 2000 with CNH heavy duty adapter, Kinze 2000, 3000 & 4000, White 6000, 8000 and 9000 and Harvest International Laser Pro 1

### BCIH1345

Case IH 1200 series planters without frame mounted no till coulters.



### 1345 Row Cleaner

“Moving into faster planting speeds with newer planter technology, our needs from our row cleaners changed. The Martin-Till® 1345 row cleaner gave us the ability to increase our planter speed while still managing our residue without disrupting the ride of our row units, while still maintaining the superior performance that we have come to expect from Martin Industries.”

Brandon Hunt – Hunt Farms

Farmer & Tractor Pulling Professional • Hopkinsville, KY



# 1360 Floating Row Cleaner

For use without Coulters

**BA1360 Basic**  
w/o options



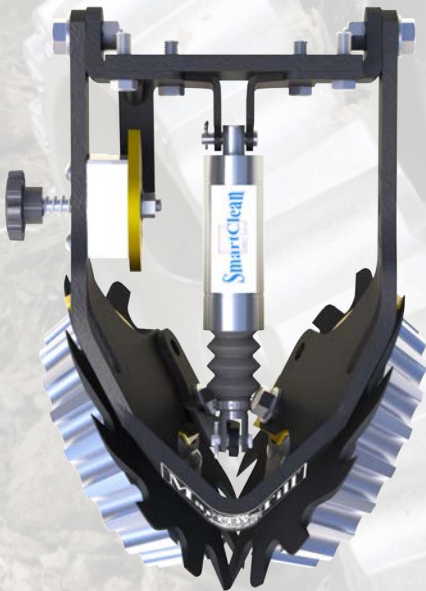
**BA1360 Deluxe**  
Options:  
Side Treader Wheels  
Cam adjust  
Smart Clean Cylinder  
and Brackets



**BA1360** John Deere 7200 (and later), Case-IH 2000 with CNH heavy duty adapter, Kinze 2000, 3000 & 4000, White 6000, 8000 and 9000 and Harvest International Laser Pro 1 without no-till coulters. 1360 measures 19" from planter face plate to front of row cleaner wheels.

**BCIH1360**

Case IH 1200 series planters without frame mounted no till coulters.



On our farm we use the 1360 row cleaner on 2 Kinze planters. We have been using them for more than 5 years and they have required little to no maintenance. Also, our customers really like the Martin row cleaners. The durability and dependability of the Martin row cleaners allow us to recommend them with confidence.

Aaron Wolf—Farmer & Precision Ag/Equipment Sales—Wolf Farms Precision—Dixon, Illinois





# Kronos™ BA1350 Row Cleaner

The Kronos™ BA1350 Row Cleaner delivers high-performance residue management at a 10% lower cost than competing model. Nearly all components are manufactured in-house, reducing costs and eliminating unnecessary markups. This allows growers to invest in a durable, reliable row cleaner while maintaining quality and affordability.

- **Compact 15” Length** – Fits behind frame-mounted openers while delivering top performance, ensuring seamless integration with most planter setups.
- **Adjustable Wheel Angle** – Works with all planter row widths for efficient residue clearing, improving seed-to-soil contact for better germination.
- **Adjustable Positioning:**  
No tools needed, allowing for quick and easy field adjustments.
- **Float Mode** – Set lower limits in 3/8” increments and use Smart Clean™ or Clean Sweep® for precise pressure control, optimizing performance in different soil conditions.
- **Rigid Mode** – Lock at fixed depths in 3/8” increments.



Wide



Narrow



**SmartClean or CleanSweep  
ready**  
With integrated cylinder  
brackets.

### Optional Enhancements:

- **Smart Clean™ Bi-Directional Control**
- **Depth Bands (STW)**
- **Flat Plates**



WIFI  
CONNECTION

# SmartClean

By Martin

Row Cleaner Air Adjust System

ISOBUS  
Compatible

*It's easy to add Smart Clean to any planter or strip till bar  
For optimized Row Cleaner control at your finger tips!*



- Electronic Proportional Control valves automatically adjust to maintain desired psi
- Can be set in 1% (lbs.) increments
- App runs in background on your Smart Phone or Tablet
- UPDATED WIFI signal allows control of row cleaners while riding alongside or behind planter.
- System defaults back to last settings when power is cycled or connection is lost
- No bulky boxes or air lines in cab
- Bi-Directional control option allows for pressurizing both sides of cylinder at same time (Dual Valve only)



**800887** Smart Clean  
manual Bi Directional  
control

Isobus & WiFi connection options available for control

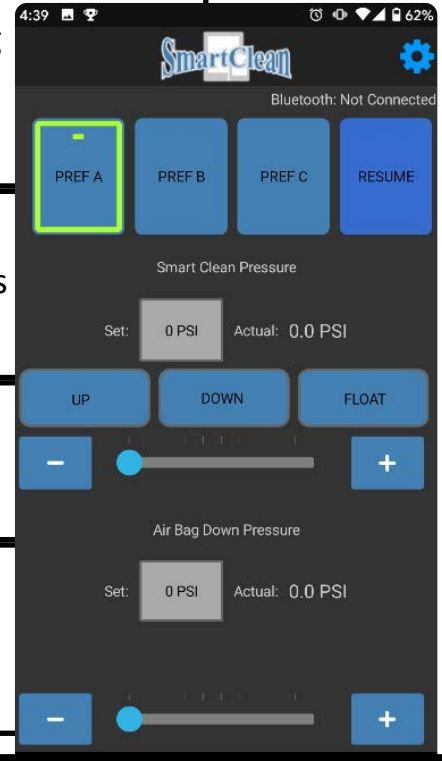
*The Smart Clean™ System makes manual row cleaner adjustments a thing of the past use your smart phone or tablet to raise lower your row cleaners.*

**900180 - Single Valve Bank (Air Bag)** - Row Cleaner Adjust and Air Bag Control - One directional control valve works same as single valve plus you can set psi on a second circuit to control air bags.

**900181 - Bi-directional** - Uses two valves allowing you to set separate air psi on both sides of piston. This method gives best control and does not come with a directional control valve.

**900182 - Single Valve Bank (No Air Bag)** - Row Cleaner Adjust Only - One directional control valve lets you set psi then select up down or float.

**900183 - Dual Valve Bank** - Independant Section Control - Two directional control valves allows section control for left right or front gang back gang.



ISOBUS HARNESS OPTIONS

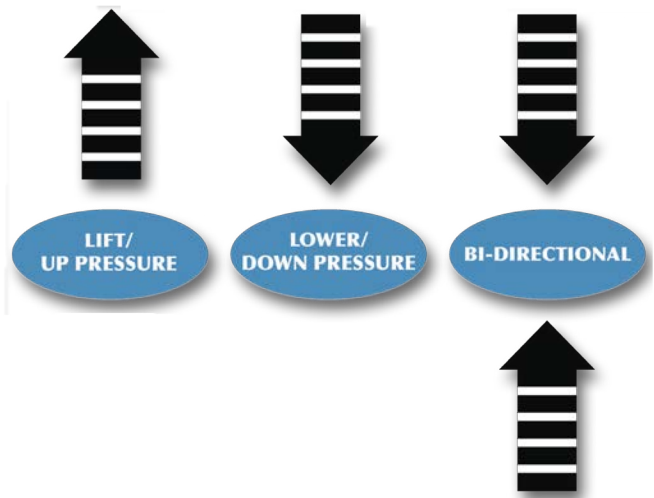


**800535** SC-ISO ISOBUS harness extension  
JD 2021 & earlier Planters equipped w/ ISOBUS

**801008** SC-ISO ISOBUS harness extension  
JD 2022 & later Planters equipped w/ ISOBUS

**800621** ISO ADAPTER CABLE Fits **ANY** tractor w/ ISOBUS. Requires 800612

**800612** SmartClean ISOBUS cable extension, 40 Ft  
For use with 800621





# Floating Row Cleaner & Fertilizer Opener Combo

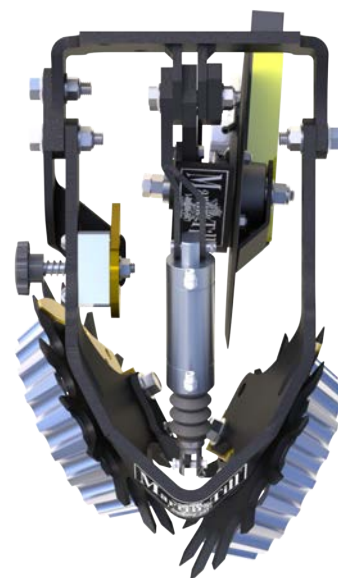
**BAUMO1345**



**BAUMO1345**



**BAUMO1360**



Shown as Basic, without options.

Shown with optional Cam,  
Side Treader Wheels and Air  
Cylinder

## **BAUMO1360, BAUMO1345**

1360 and 1345 floating row cleaners with UMO150 combination. Universal mount designed to install on all John Deere planter units, Kinze 2000, 3000 & 4000 series, White 6000, 8000 & 9000 and Harvest International Laser Pro 1. Can be used on Case IH 2000 with heavy duty adapter plate (Case IH PN 4805-4385 or Martin PN MTCNHD). BAUMO1360 measures 25" from face plate to front of row cleaner assembly.

## **BCIHUMO1360, BCIHUMO1345**

1360 and 1345 floating row cleaners with UMO150 combination. Designed to install on Case IH 1200 and 2000 series planter units without frame mounted no-till coulters. Case 1200 series requires heavy duty lower parallel arms. Will not work if drive shaft is under planter frame.



**BAUMO1360**

# Dual UMO150

## Compatible with 1360 & 1345 Row Cleaners

### Features

- Dual UMOs allow for yield-enhancing 2 x 3 x 2 fertilizer application
- Your choice of Two, 14" smooth blades or 15" notched blades.
- Greaseable tapered roller bearings and 2 triple lip seals for durability
- Updated spring and placement shoe reduces friction on blade keeps blade turning in loose ground
- 3/8" O.D. delivery tube for maximum placement (up to 45 gallons per acre per opener)
- Furrow control strap reduces furrow blow-out while minimizing erosion and fertilizer spattering
- Places nutrients at various depths 3" on BOTH sides of seed for maximum usage
- Available with optional dry fertilizer tubes



### Agronomic Benefits

- Allows more nutrients to be applied
- Increases root mass
- Enhances plant size and strength
- Promotes faster growth
- Improves yields



TESTING LOCATIONS	STARTER PLACEMENT SYSTEM	TREATMENTS	PLACEMENT	EMERGED POPULATION	POPULATION DIFFERENCE	NEPS %	BU./A.	BU./A. DIFFERENCE	RETURN ON INVESTMENT
IN, OH, IA	MARTIN-TILL® DUAL UMO 2x2x2	Control: 30 units UAN	2x2	32,088	-	83.6	201.4	-	-
		30 Units UAN	2x2x2	32,454	+366	82.9	207.5	+6.1	+23.55
		60 Units UAN	2x2x2	32,023	-65	83.3	211.3	+9.9	+25.01
		30 Units UAN + 1 qt Start Right	2x2	31,760	328	80.7	206.6	+5.2	+9.57
		30 Units UAN + 1 qt Start Right	2x2x2	31,773	-315	82.7	202.6	+1.2	-5.87
KY, IL, IL	YETTER DUAL 2968 SERIES	Control: 30 units UAN	2x2	31,246	-	92.8	199.0	-	-
		30 Units UAN	2x2x2	30,407	-839	91.7	204.6	+5.6	+21.62
		60 UNITS UAN	2x2x2	30,245	-1,001	90.7	208.5	+9.5	+23.47
		30 Units UAN + 1 qt Start Right	2x2	30,458	-788	91.0	204.0	+5.0	+8.8
		30 Units UAN + 1 qt Start Right	2x2x2	30,750	-496	91.9	202.7	+3.7	+3.78

Corn \$3.86/Bu. Start Right \$42.00/gal. UAN \$.044/unit of nitrogen. Individual results may vary.



# Unit-Mounted Fertilizer Opener (UMO150)

Consistently places fertilizer in the ground without splattering on planter!

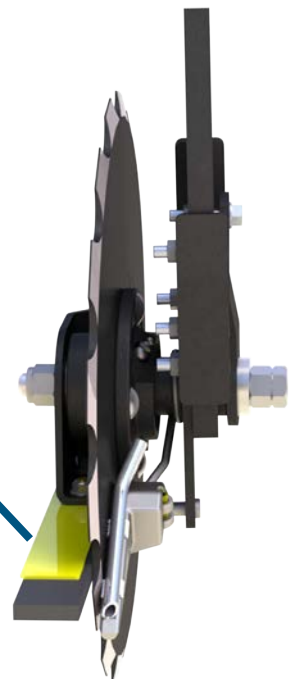
## UMO150 Features

- **Sturdy, compact design** allows more ground clearance with a more narrow profile, reducing bulldozing.
- Greaseable Double tapered bearing hub with two 3 lip seals
- 5mm thick (0.197") 14" blade or 4.5mm 15" notched blade. Standard 14" smooth blade for use in no-till conditions or a **15" notched blade** for use in min-till or conventional till.
- Updated & improved placement shoe for less friction
- Adjustable furrow control strap
- Mounting directly to the row unit allows precise placement from the seed, even when planting on contours.
- Can be set to place liquids 1", 2", or 3" from seed row
- Can also be set to place liquids 3/4" above or even with seed depth
- 1 1/2" OD Dry tube available for 2" and 3" lateral spacing
- Fits Deere 7000 - 1700, Kinze, White 6000/8000/9000 series, Harvest International Laser Pro and Case IH 1200 and 2000 series planters
- Patent Number 7,481,171



Patented  
spring loaded knife places liquid in  
the ground not on the planter!

Adjustable Furrow  
Control Strap  
keeps soil in place.  
Preventing blowout  
of Furrow Wall.







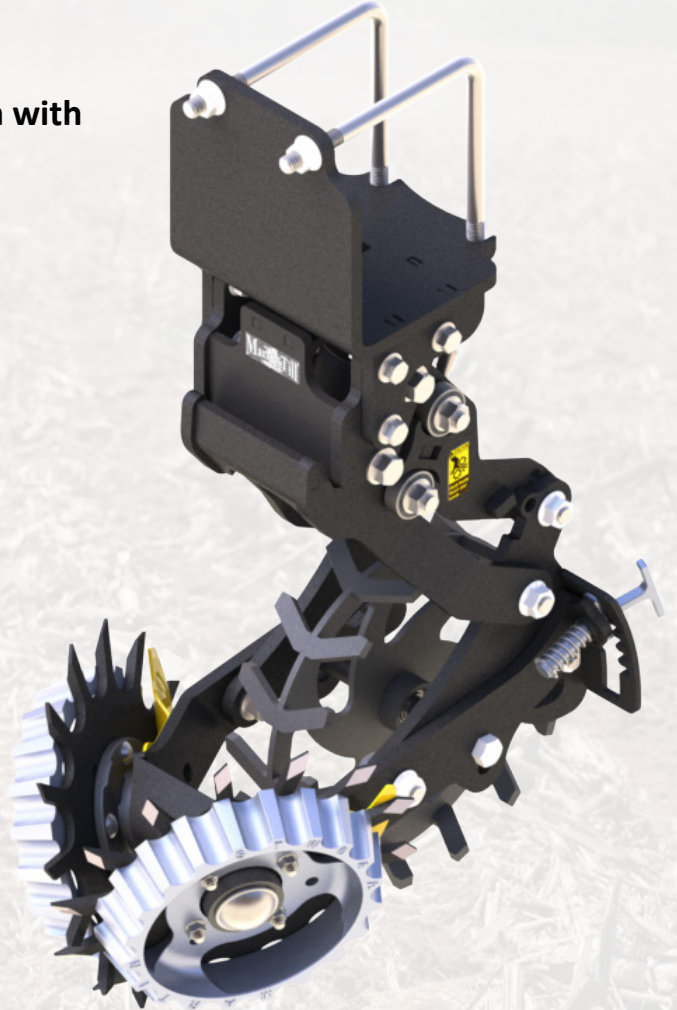
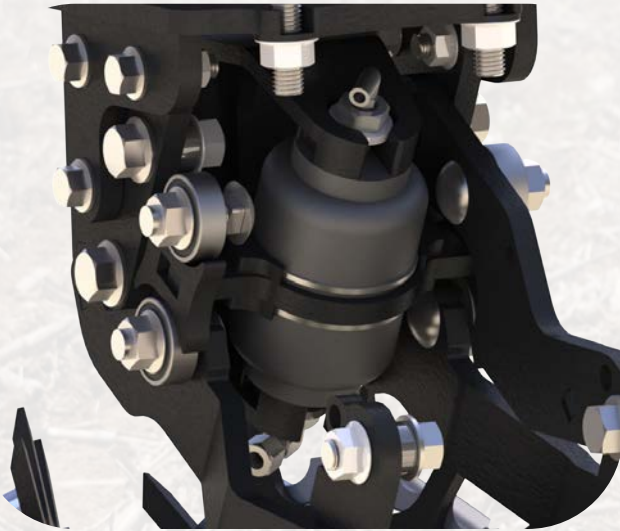
Walker™

## Walking Tandem, Frame Mounted Row Cleaner

Follow the Ground. Control the Depth. Perfect the Seedbed.

Follows undulating ground in tandem mode to reduce skips and prevent bulldozing for a clean, consistent seedbed. Lock in rigid mode so the gauge wheel (fCrumbler basket) sets row cleaner depth while crumbling and firming the seed trench. Quick 5/16" depth adjustments keep you in control across changing field conditions.

- Dual Air Bags on Roller Bearings – Smooth operation with no binding or locking like competitive products.





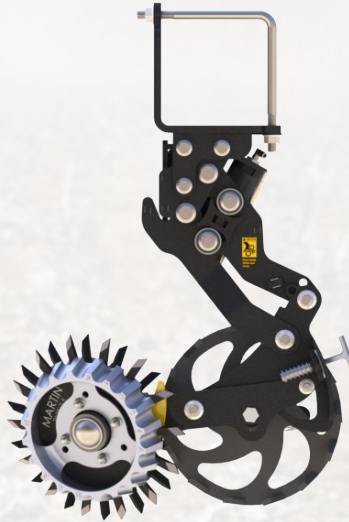
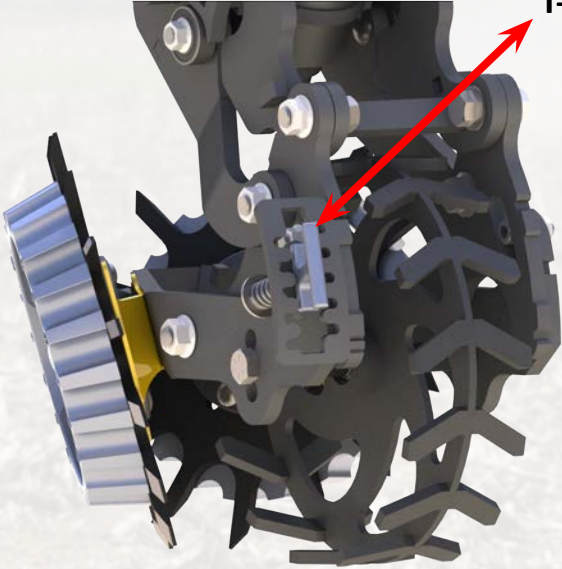
# Walker

## Walking Tandem, Frame Mounted Row Cleaner

### Tandem Setting:

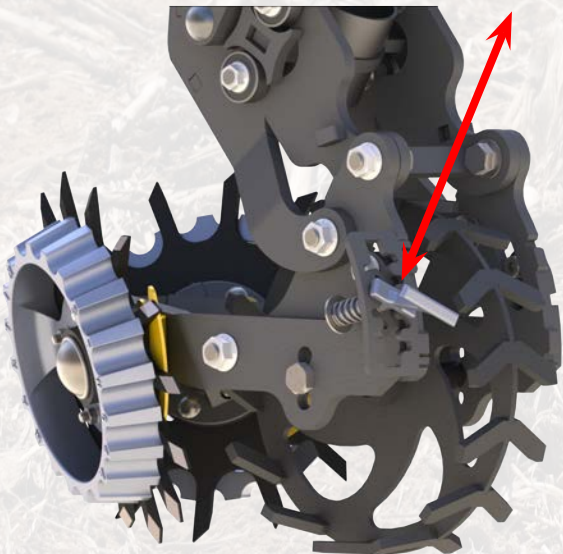
- Walking Tandem Mode – T-Handle in floating position. Prevents skips on downgrades and bulldozing on upgrades.

T-handle unengaged to allow Walking Tandem



- Rigid Mode – T-handle in locked position sets depth in 5/16" increments; easy 1/4 turn of T-handle switches back to tandem mode.

Adjust T-handle to “lock in” tandem depth settings. Adjustments in 5/16” increments



This “floating” row cleaner stands out because of its walking tandem mode and frame-mounted design. Together, they allow a lot more vertical movement, so the row cleaner follows almost any terrain. In straight no-till or very light tillage, it doesn’t move any soil that I can see—just clears residue. In tillage, I can lock it so the gauge wheel controls the depth, which also helps reduce soil movement. Being frame-mounted takes stress off the planter row unit, which I really like.

— Hayden Greenfield, Elkton, KY





# Pin Adjust/Rigid Row Cleaners

Right: B1332/772  
Below: B1532/772  
Both shown with  
MT772



Patent #5,507,351

Intersecting teeth reach the entire row middle and aid in cleaning one another. It's this patented cleaning action that spawned the Martin-Till® brand name, a name synonymous with superior performance in no-till and minimum-till planting.

Can be set offset or intersecting with your choice of 13" or 15" or 12.5" Razor Wheels.

## WA1532 or WA1332

- Rigidly mounted directly to planter unit face plate
- Easily adjustable in 1/4" increments with lift assist handle and spring
- Movable axles, via the exclusive Martin-Till® D-Lock System, allow for several mounting positions (intersect, offset, retracted)
- 13" toothed steel wheels with diamond shaped points allow plenty of upward adjustment in loosely worked soils
- 15" version allows teeth to extend past edge of gauge wheel works great on ridges

## WA1334

- Specifically designed for Case IH Early-Riser planters (For use with all pin adjust brackets which accept 2" stems)

## WA1320N

The Martin-Till® Narrow Row Cleaner Model WA1320N is designed to clean residue from the vital seed trench area with less total disturbance than regular models. Two wheels are used to ensure residue is removed from the row center and not just dragged across the row, which may occur with single wheel models.

This model is recommended for 20" planters that have all units on one bar, operating in moderate residue. The cleaning teeth reach their maximum depth nearer the row than other models, the seed trench is more easily opened and the trench walls are more likely to crumble. The planter path will retain more moisture where this model is used than where the regular width cleaners are operated.

B1334/892  
Shown with  
MT892



B1320/772  
Shown with  
MT772







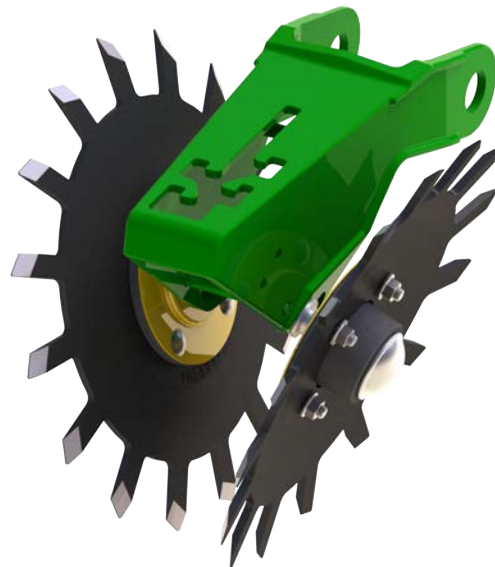
# Cupped Closing Wheels

Engineered to break sidewalls while simultaneously squeezing the seed trench closed

## After-Till®

### Cupped Spading Closing Wheels

- Breaks the sidewall and seals the trench with controlled aggression - Excellent in wet, heavy and compacted soils and tough planting conditions.
- Best-in-class sidewall breakup, thanks to Martin's updated spade bevel
- Shorter teeth provide improved depth control and consistent trench contact



**\*Pair with 2nd Stage 6x12 press wheel for industry-leading emergence consistency!**

**Lester Farms 2025 trials -**

**34 of 35 seeds emerged within 12 hours of each other proving this Duo's unmatched emergence.**

**See pg. 28 for more info!**



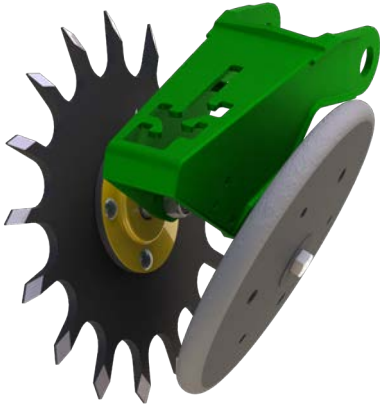
### Cupped Razor Closing Wheels

- Slices sidewalls and opens compacted zones - excels in residue-heavy fields, sod or cover crop conditions
- Razor profile is wrap free in most cover crops
- Fractures sidewall
- Pair with 2nd Stage Press wheel for improved depth control



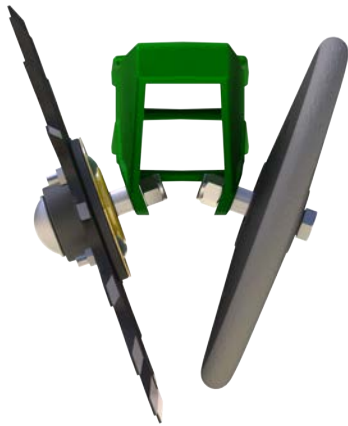
# Closing Wheels

## Single 15" Spading



### BSCW1544 L/R

- For planters with bolt-on hubs: Deere 1700 series, Kinze, White, and Harvest International, Horsch and others
- 3/8" thick, 15" diameter right and left toothed steel wheels with diamond shaped points
- CHU44B2 cast hubs with long life 40mm 5203 double row bearing with six lip seal



### BSCW1543 L/R

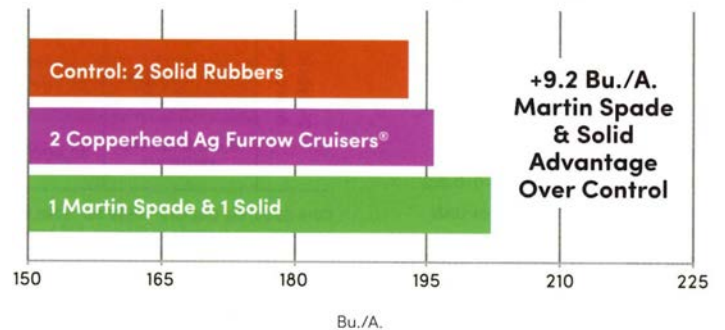
For Deere 7200 series planters.

### BSCW1541 L/R

For planters with roll-pin attached hubs: Deere 7000, Kinze early 2000



### 2-YEAR CLOSING WHEEL YIELD ADVANTAGE



- Multi-year data at Beck's Kentucky PFR site has demonstrated one significant take home message: these soil types benefit from a crumbling, closing action, not a pressing action.
- Alternative closing wheel setups consistently outperform two solid rubber closing wheels in our research.



# Closing Wheels

## Dual 13" Spading



### BSCW1344 -

- For planters with bolt-on hubs: Deere 1700 series, Kinze late 2000 and up, White 6000 & 8000
- 3/8" thick, 13" diameter right and left toothed steel wheels with diamond shaped points
- CHU44B2 cast hubs and long life 40mm 5203 bearing with six-lip seal

**BSCW1343** - For Deere 7200-7300 series

**BSCW1341** - For planters with roll-pin attached hubs: Deere 7000, Kinze early 2000

Shown with optional DK01 leveling kit for adverse conditions and Internal Deflectors pictured above. Drop down brackets are designed for paired 13" wheels to help maintain a level closing wheel arm assembly in loose soils. Internal Deflector set reduce build up of mud and residue to ensure fractured soil is placed evenly over seed trench.



## Closing Wheel Options

### DCK01 Drag Chain Kit

- Heavy square edge cross chain and brackets
- Bolts to all Max-Emerge units
- Fits Kinze and White units with bolt-on wheels
- Kinze 2000, JD 7000 will need holes drilled for mounting

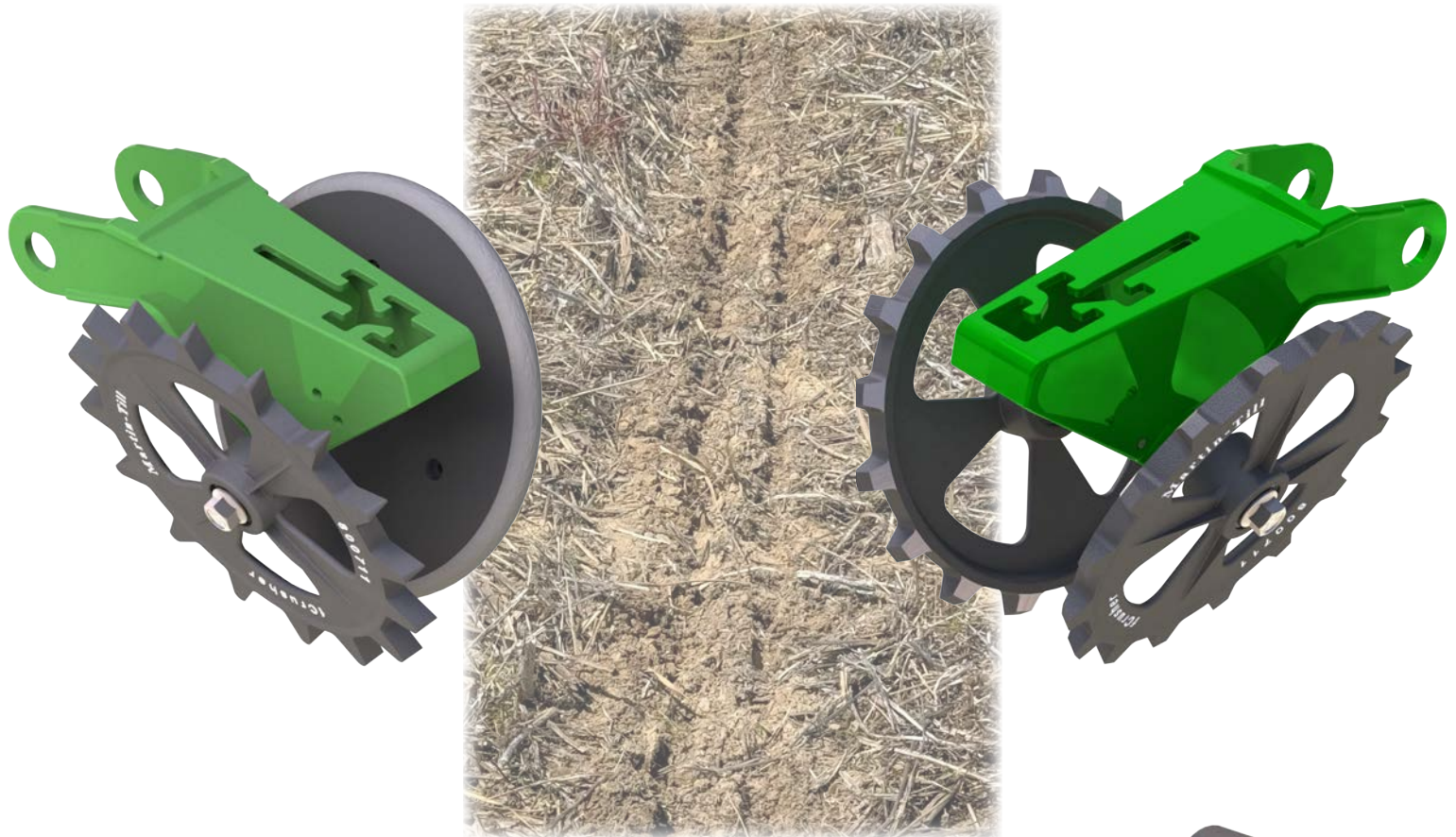
Following behind the Closing Wheels, our Twisted Drag Chain helps to further crumble and level the soil. This helps to even out the rate of drying and ensures the soil does not dry past seed depth. This is a low cost, low maintenance way to help increase uniform emergence in the drier parts of the field and is a must when using the spading closing wheels in minimum till.





# Crusher

Lightweight (9.5 lbs) cast *fCrusher* Closing Wheel. Tapered tooth design allows firming on one side and crumbling on the other. Drafted tooth keeps its entire foot print on the ground. No more wearing one side of plastic until it has to be flipped. Long life ductile cast iron will run for years and years. Martin Duty with 6 lip seal design out lasts competitive products by years.



After the spike teeth crumble the side wall, a  $\frac{3}{4}$ " wide flat surface between the teeth presses soil tighter around seed, for better seed to soil contact. Competitive products that have a beveled edge or raised center section, allow soil to "blow up" above the seed. *fCrusher's* flat surface presses soil tightly against seed, reducing, if not eliminating air pockets. We have seen as much as 1 day earlier spike thru when compared to other spike wheel systems.





## **New Short-Tooth Option: Enhanced Control for Gentle Closure**

- **Optimized for Shallow Engagement**  
The newly released short-tooth version is engineered to provide shallower penetration into the seed trench—ideal for situations where less soil disturbance around the seed is desired, without compromising sidewall disruption.
- **Beveled Tooth for Sidewall Fracture**  
Each tooth is precision-beveled to efficiently fracture the trench sidewall and guide soil inward, helping to close and seal the trench smoothly and evenly.



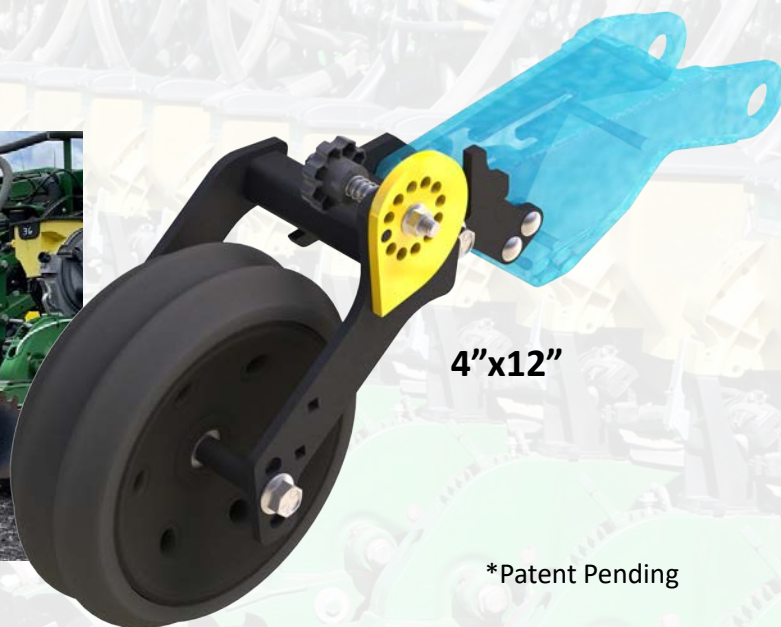
**The MartinTill fCrusher closing wheel is trusted by growers for its ability to deliver dependable seed trench closure and improve emergence consistency. Now available in a new short-tooth configuration, it offers even greater flexibility for dialing in performance across varying soil and planting conditions.**

### **Key Features That Set All fCrusher Wheels Apart**

- **Dual-Action Tapered Tooth Design**  
Tapered geometry enables firming on one side and crumbling on the other, providing a balanced trench closure.
- **Full Ground Contact with Drafted Tooth Profile**  
A drafted tooth design keeps the wheel's full footprint on the ground, ensuring even wear and eliminating the need to flip wheels like some plastic alternatives.
- **Long-Lasting Cast Iron Build**  
Made from ductile cast iron, fCrusher wheels are built for durability and season-after-season reliability.
- **Martin Duty Hub with Sealed Bearings**  
for smooth operation and low maintenance
- **Maintains the Signature Flat Between Teeth** Like the original design, the short-tooth version features a  $\frac{3}{4}$ " flat surface between teeth to firm soil directly over the seed. This helps eliminate air pockets and promotes optimal seed-to-soil contact for uniform emergence



# MartinTill 2nd Stage Closer



4"x12"

\*Patent Pending

- MartinTill fCrumbler, 6"x12" or 4"x12" Rubber press wheel seals and levels air pockets left in seed trench to ensure ideal seed to soil contact.
- Cam adjust allows adjustment of pressure applied by press wheel.
- Easily mounts to most Double V style OEM closing wheel brackets.



4"x12" fCrumbler



6"x12"



# MartinTill 2nd Stage Closer

## fCrumbler



An option for our 2nd stage closer, or a factory two stage closer!  
The fCrumbler mulches and firms the seed trench without smearing or packing like a rubber press wheel. Laser cut cleats have a sharp corner to aid crumbling, unlike competitive products using round bar. These properly spaced cleats, size material while leaving a mulched surface which reduces crusting. This design prevents mud build up from wet conditions or fertilizer application that are common with a solid rubber wheel.

**Available in 4"x12" or 6"x12"**  
**Martin Duty, with 6 lip seal bearing.**  
**Close the furrow with the best.**



# Case IH Closing Wheels

## BSCW9ZC

9" Cupped Razor Closing Wheels for 2000 series

## BSCW8ZC

8" Cupped Razor Closing Wheels for 800, 900 & 1200 series

## BSCW9SC

9" Cupped Spike Closing Wheels for 2000 series

**After-Till®**



- Replaces closing disk on Case IH planters with offset closing wheel arm
- Fits Deere or Kinze shallow closing systems

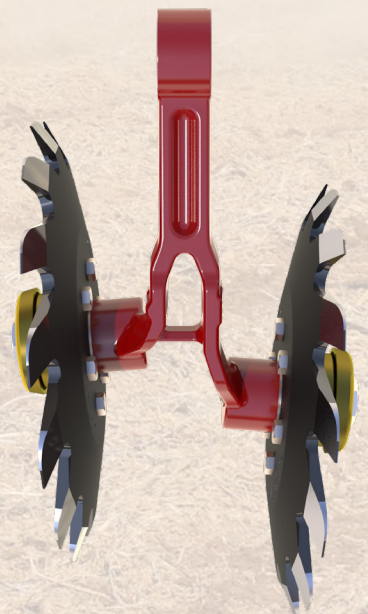
Moist soil is moved toward the seed at seeding depth. In wet conditions, the soil is prevented from forming a continuous ribbon by the lifting action of the teeth as they rotate up out of the soil.

Benefits include:

- Closing wheel arm pressure can be greatly reduced
- Seeding depth does not have to be raised to ensure emergence
- Soil above the seed is loose, allowing quicker emergence in a compaction-free environment
- Sidewall compaction is eliminated

### 9" Cupped Razor Closing Wheels for CASE IH

We decided to make a change on our closing wheels. We are using the Martin Razor Wheel on our row cleaners and liked the performance. Martin has introduced a new closing wheel based on similar design but made it into a cupped style wheel, so we installed it on our corn planter. In this most difficult planting season, the 9" Martin Cupped Razor Wheel did an excellent job. It worked better than the factory style concave version for improving closing results. It crumbled the soil very nicely to close the furrow. I was very pleased!  
Wes Leeper—Leeper Farms—Marysville, Ohio

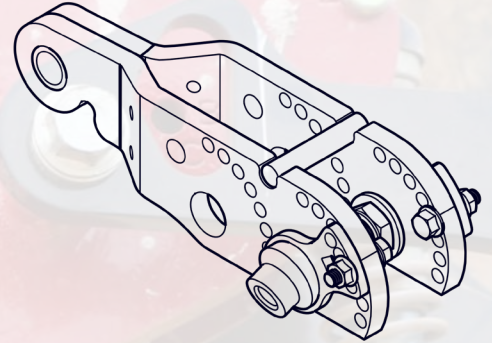
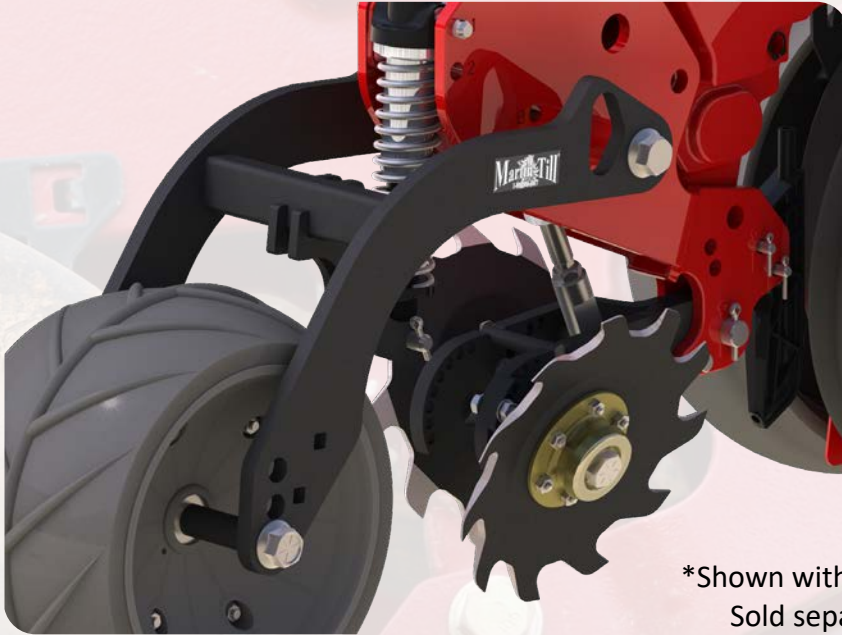




# Case IH Closing Wheels

## CNH Camber Adjust V-Style Closing Kit

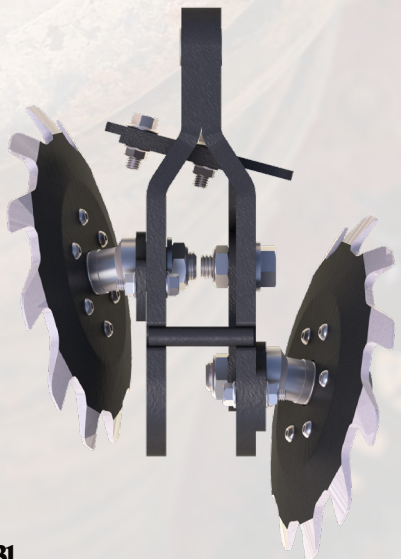
### For Case 2000 Row Unit



\*Shown with BSCW9ZC  
Sold separately.

#### Key Features:

- Changes angle of Case standard stance to V style for better gathering action.
- Allows fine adjustment of toe in to fit your specific environment needs.
- BSCW9ZC Sharpened Teeth chip side wall while forcing soil towards seed to close furrow
- Updated Swing Arm with more clearance means less plugging

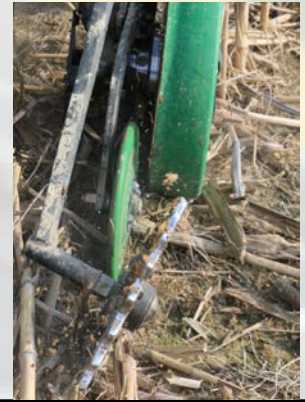




# Grain Drill Closing Wheels

## BSCW156D for 60 and 90 series

- 1/2" thick, 13" diameter with 20 rounded points or 12" 18 point for Pro Series, crumbles side walls
- Can use 13" Spading Closing Wheels in place of 20 point Dimple in high moisture conditions

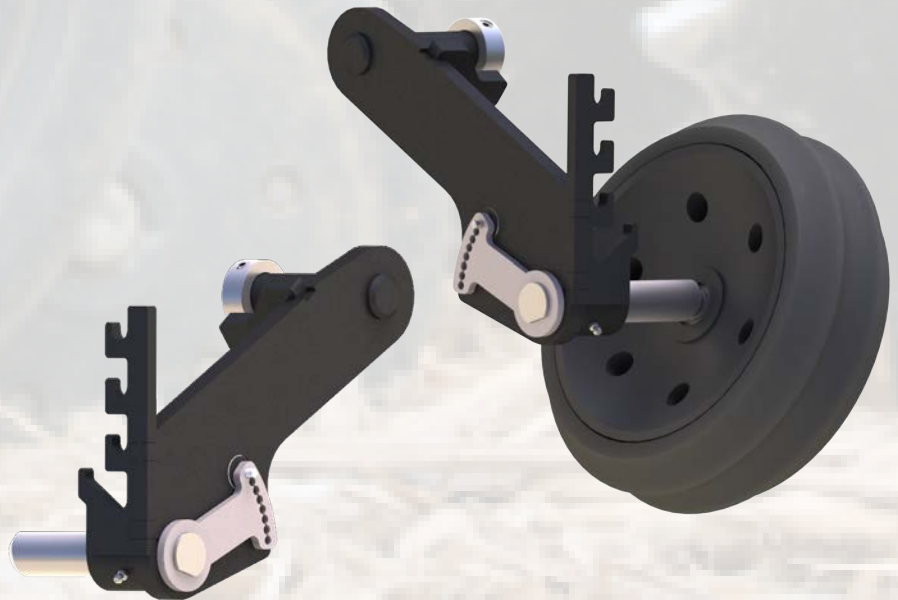


## BSCW75D for 50 series

- 40 mm 5203 bearing with six-lip seal
- Double-threaded specially designed axle fits Deere 750 and 1850 drills



## Closing Wheel angle changer for CNH Air Drills



Ajustable angle changer for CNH 500T air drill.  
0-11 degree adjustments with quick adjust knob



# Weight Transfer System

## Planter Wing Hydraulic Down Force System Revolutionizing Planter Performance for Precision Farming

Achieve superior planting performance with the Planter Wing Hydraulic Down Force System. This innovative system ensures consistent planting depth, optimal soil contact, and unmatched reliability for high-efficiency farming.

### Key Features

- **Increased Flotation:** Transfers excess weight from the center frame to the wings, reducing soil compaction and ensuring consistent performance in uneven or soft ground.
- **Prevents Wing Float in Tough No-Till Conditions:** Keeps wings from floating when row unit down force is increased. Easily offset this by increasing PSI until linkages are parallel.
- **Cab-Mounted Adjustability:** Adjust down force on-the-go for optimal planter performance.
- **Large Color-Coded Hydraulic Gauge:** Easily monitor pressure from the cab with the front-mounted gauge.
- **Innovative Bracket Designs:** Spread forces to existing frame structures to greatly reduce loads on bolts, enhancing durability and reliability.
- **No Welding Installation:** Maintain planter resale value with bolt-on simplicity.
- **Optimum Cylinder Bores:** Sized based on engineering calculations to prevent overstressing the toolbar, ensuring safe and efficient operation.



### WTS Force Calculations at 3000 psi

Part Number	Description	Cylinder Bore	A	B	C	D
900081	JD 1775 2023+ 16 Row 30"	3"	3613	1806	7226	465
900083	JD1770/75 2022 & Earlier 16 Row 30"	3"	3613	1806	7226	465
900244	JD 1770/75 24 Row 30"	3.5"	5773	2886	11545	291
900283	JD 1790/95 16/32 Row 30"	2.5"	5781	2891	11563	291
900320	JD 1790 24 Row 20"	2.5"	5365	2682	10729	313
900356	JD 1770/75 2022 & Earlier 12 Row 30"	2.5"	4516	2258	9032	372
900441	JD DB60 (Double Bar Only)	3.5"	4772	2386	9544	352
900454	CIH 1255 24 Row 30"	3.5"	5516	2758	11032	305
900600	Massey 24 Row 20"	2.5"	2461	1230	4921	683

A = Force Applied to Center of Wing

B = Force Applied to End of Wing

C = Force Lifted off Center

D = Psi Required to Transfer 560lbs (10 Bushels)





**ISOBUS  
Compatible**

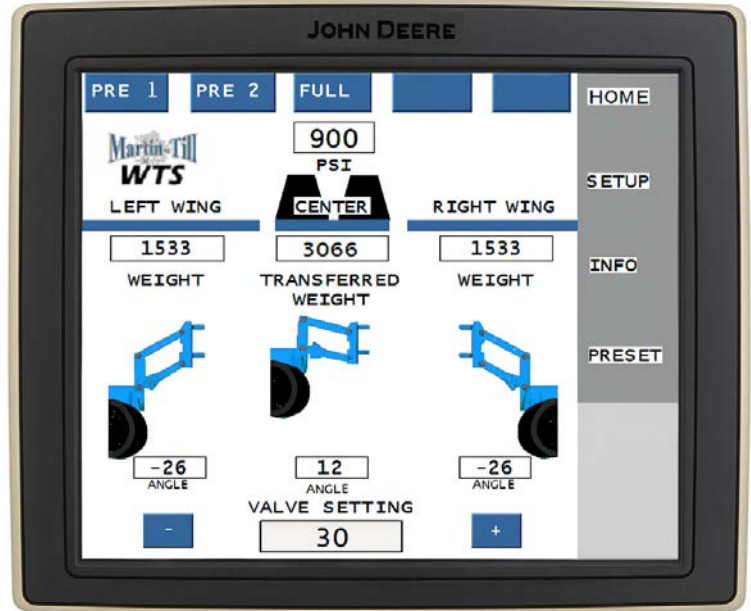
# WTS Smart Transfer

The Martin-Till SmartTransfer is a fully ISOBUS-integrated hydraulic weight transfer controller that delivers real-time control, angle monitoring, and precise downforce management. Designed for fast setup and easy operation.

A common question we're asked:

**“How do I know if my weight transfer system needs adjusting?”**

Before now, the only answer was to stop the planter and visually compare the parallel linkage angles on the wings versus the center section. With SmartTransfer, that's no longer necessary — you can now see those angles in real time inside the cab and adjust PSI on the fly to maintain proper planter geometry and consistent row unit performance.



## Key Features:

- **5 Custom Presets**

Instantly switch between preset PSI settings for varying field conditions.

- **Linkage Angle Feedback**

Monitors actual row unit linkage angles at the center, left wing, and right wing—ensures balanced toolbar geometry and consistent row performance.

- **Real-Time Weight Transfer Display**

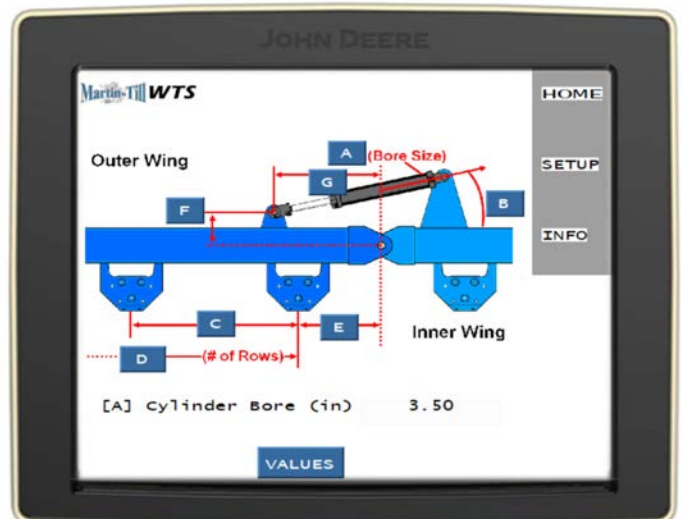
Shows actual pounds transferred to the wings—helps fine-tune PSI for even weight distribution.

- **Precision PSI Control**

Adjust downforce directly from the ISOBUS terminal—no extra controller required.

- **Fast, Universal Setup**

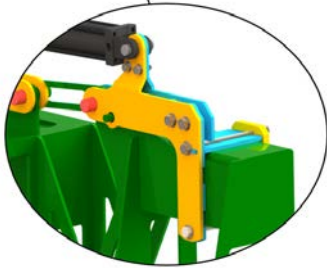
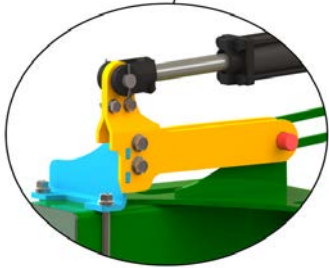
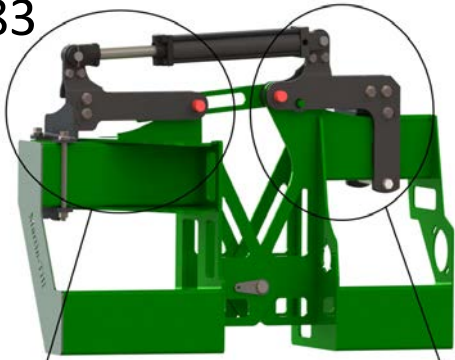
Easily retrofit existing systems by entering a few simple measurements—no custom wiring or calibrations needed.



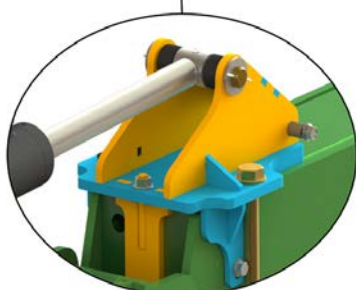
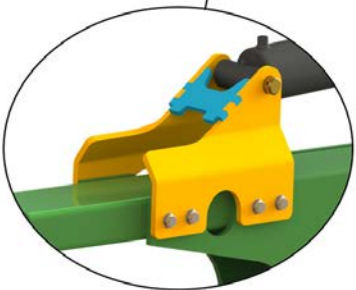
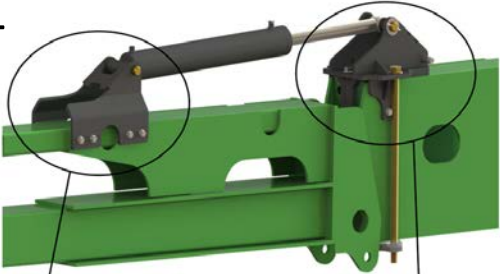


# WTS Models

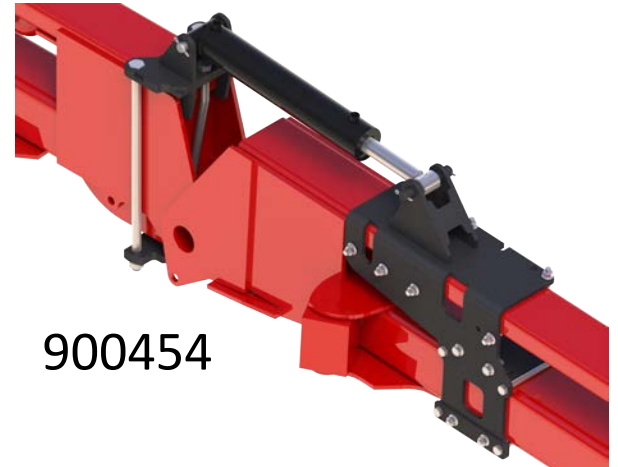
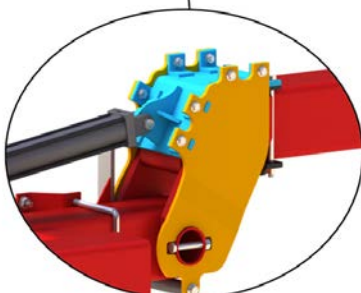
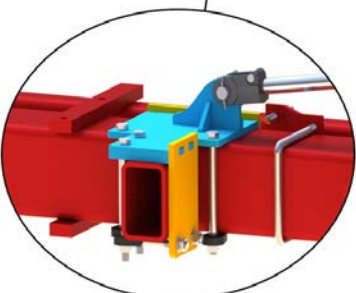
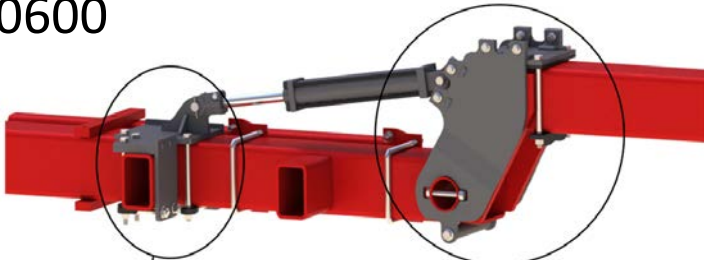
900283



900244



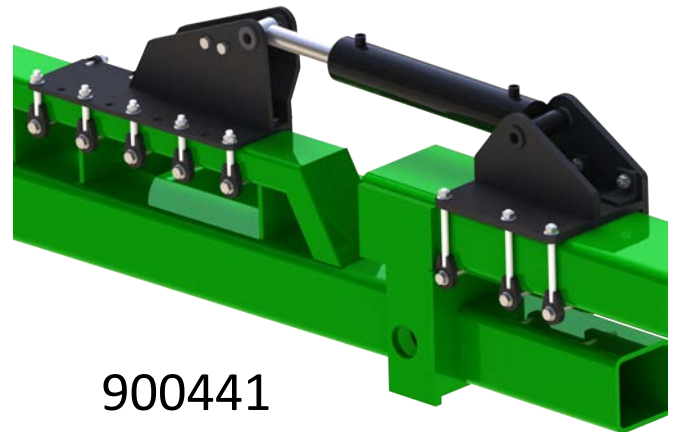
900600



900454



900083



900441



900320

# Notes:





# Notes:



# Notes:







# Warranty

**Martin Industries, LLC warrants its product to be free from defects in materials and in workmanship for one full year from date of sale to the original user.**

- The warranty is valid if Martin Industries LLC is notified of the defective part within 30 days.
- Martin Industries, LLC has the option to either repair or replace any parts that were determined to be defective due to material or workmanship.
- Any improper use, including operation after discovery of defective or worn parts, operation beyond rated capacity, or substitution of parts not approved by Martin Industries, LLC. shall void this warranty.
- No dealer, employee, or representative is authorized to change this warranty in any way or grant any other warranty unless such change is in writing and signed by an officer of Martin Industries, LLC at its home office.
- Martin Industries LLC will not replace row units or other manufactures parts that may be damaged during use.





# Martin-Till

Est. 1991

Build your Row Cleaner at  
[www.martintill.com](http://www.martintill.com)



Phone: 800-366-5817 • 270-265-5817

