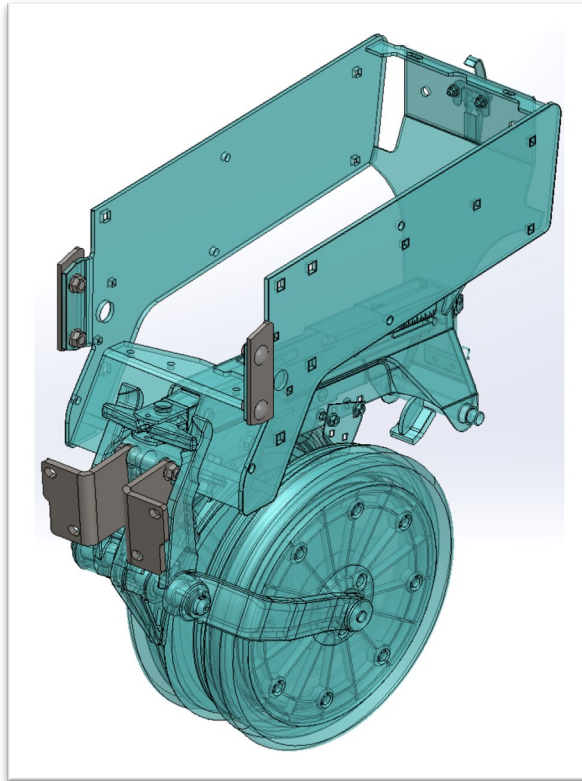


900023

CASE IH 1200 & 1250 SERIES STOP & MOUNT KIT

INSTALLATION INSTRUCTIONS



Martin Planter Attachments

Martin Industries LLC

206 Elk Fork Road

Elkton, KY 42220

Telephone: 270-265-5817

E-Mail: martin@martintill.com

www.martintill.com



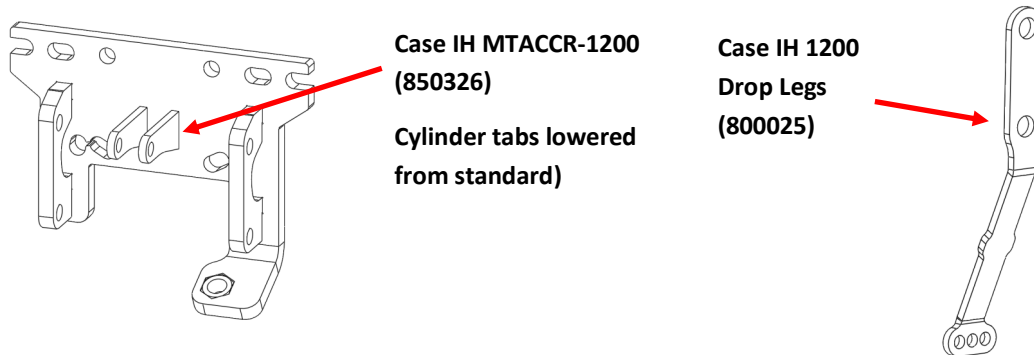
Case IH 1200 & 1250 PLANTERS

To install a ACCR1360 or ACCR1345 to a Case IH 1200 or 1250 Planter Row unit, the below parts are used:

- MTACCR1200 Mount Plate (850326) (Upper Cylinder Tabs are welded on lower than a standard mount)
- 2 x ACCR1200 Drop Legs (800025) (These are longer than standard).
- CIH1360L and CIH1360R L Brackets (800527 and 800528)
- 2 x CIH1200ST (800539) (These are travel limits for the linkage)
- Mounting Hardware shown on Page 2.

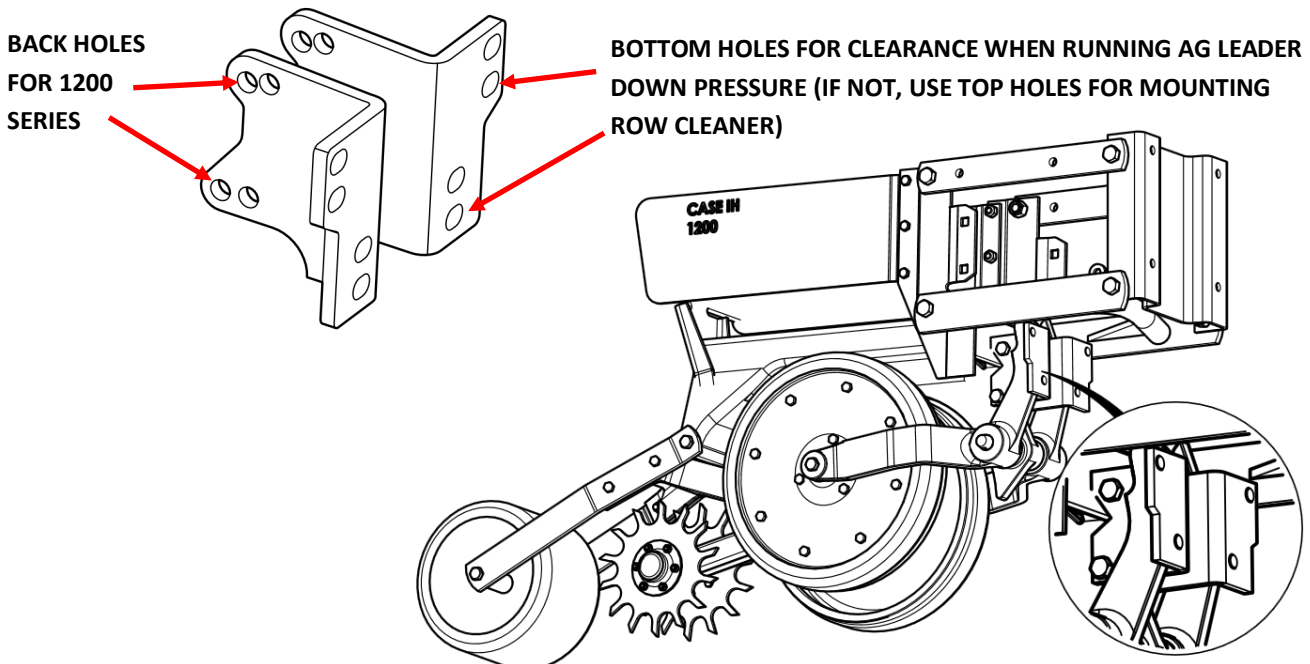
Note: If installing new, Mount Plate and Drop Legs pre-assembled at plant as ACCR1360-1200 or ACCR1345-1200. If converting from standard ACCR units, the mount plate and drop legs will need to be purchased along with the 900023 Kit.

If using D Hubs, (ACCR1360's), DLR15 D Locks x2 will be needed as well.



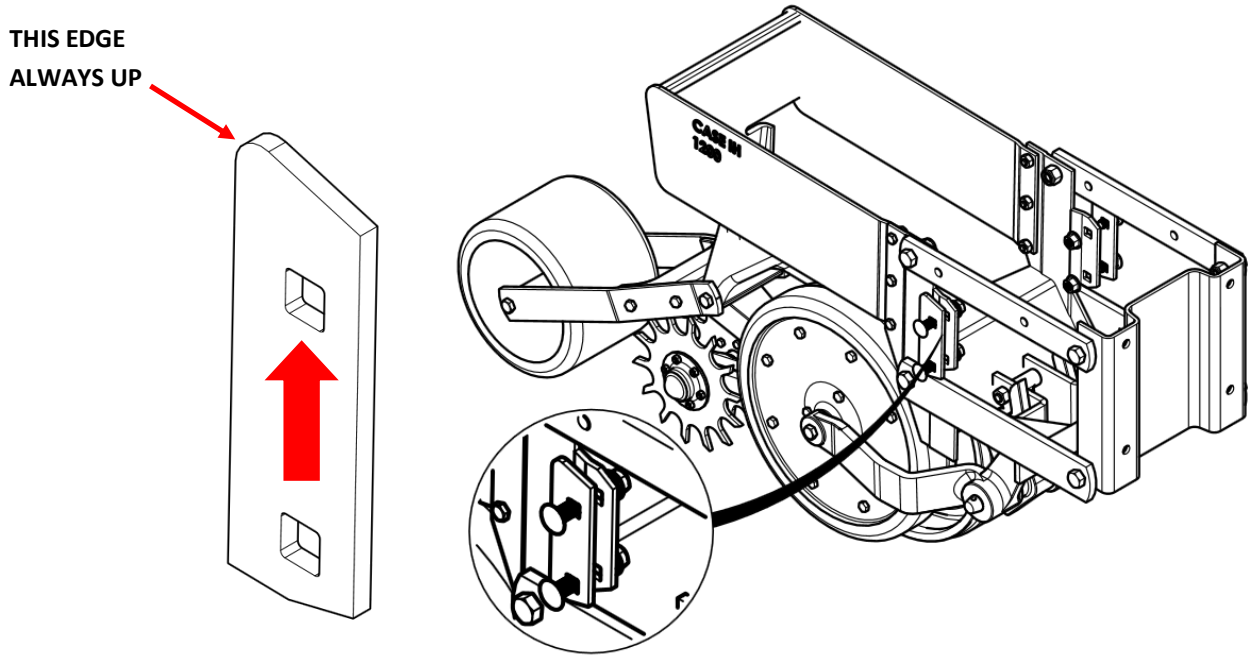
Step 1:

Attach the L shape brackets using provided two 1/2" X 3 1/2" Grade 8 bolts and nuts as shown in the picture using the back holes in the Brackets. Torque to 80 ft-lbs.



Step 2:

Attach Travel Limit Brackets CIH1200ST on top of the standard travel limit of the planter on both sides using provided 1/2 " X 1 1/4" Carriage bolts and nuts as shown in the picture.



BILL OF MATERIAL

ITEM NO.	PART NUMBER	DESCRIPTION	QTY
1	CIH1360L (800527)	3/8 CASE IH MT	1
2	CIH1360R (800528)	3/8 CASE IH MT	1
3	CIH1200ST (800539)	STOP, ROW UNIT UP TRAVEL LIMIT	2
4	BCS0217 (752512)	BOLT, 1/2-13 X 1 1/4 CARR GR8	4
5	N12CNL (787500)	NUT, 1/2-13 Nyloc GR8	6
6	BFS0133 (783534)	BOLT, 1/2-13 X 3 1/2 FL GR8	2



The most trusted name in no-till
Established 1991

Martin Industries LLC

206 Elk Fork Road

Elkton, KY 42220

Telephone: 270-265-5817

E-Mail: martin@martintill.com