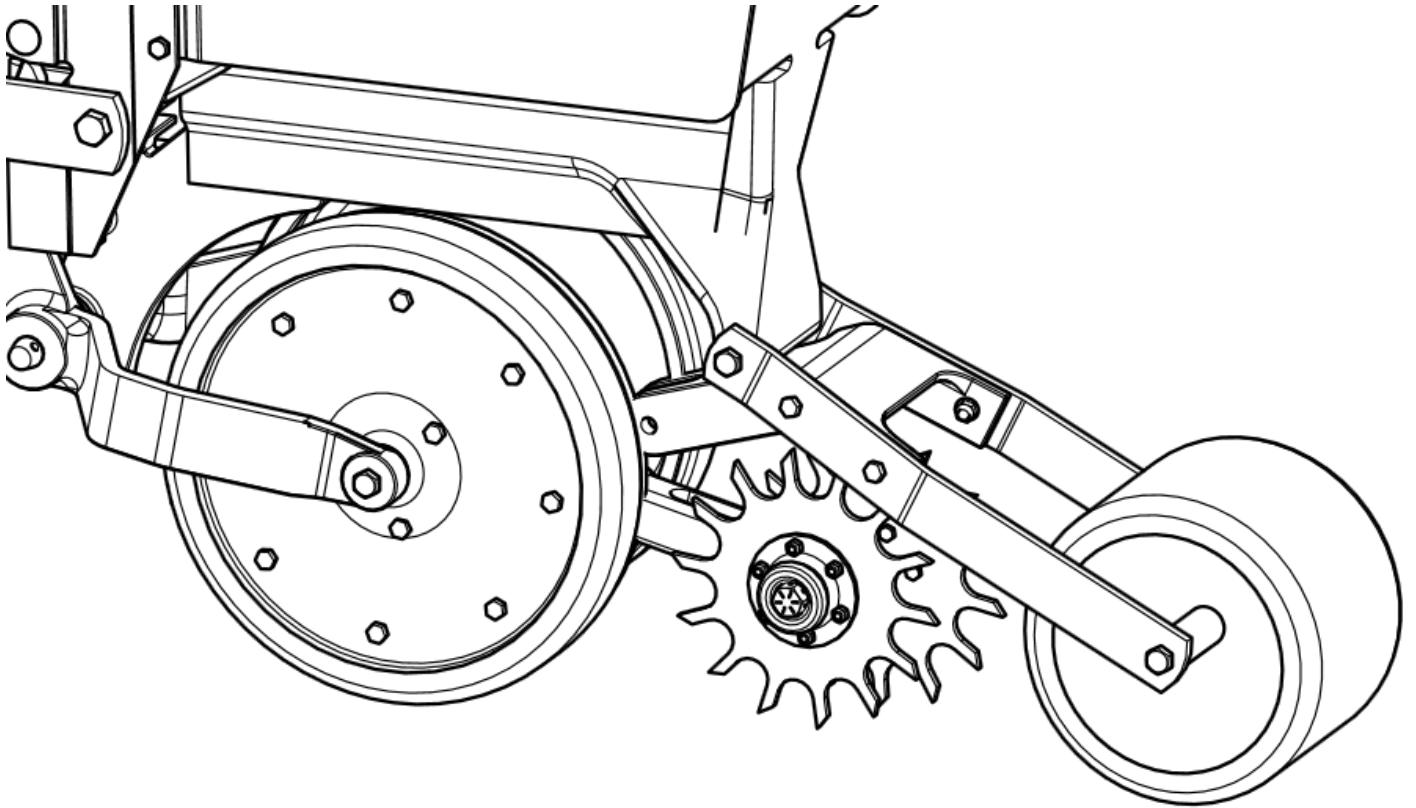


BSCW-899 & 899Z

9" Spading Closing Wheels for CASE IH early riser planters

INSTALLATION INSTRUCTIONS



Martin Planter Attachments

Martin Industries LLC

206 Elk Fork Road

Elkton, KY 42220

Telephone: 270-265-5817

E-Mail: martin@martintill.com

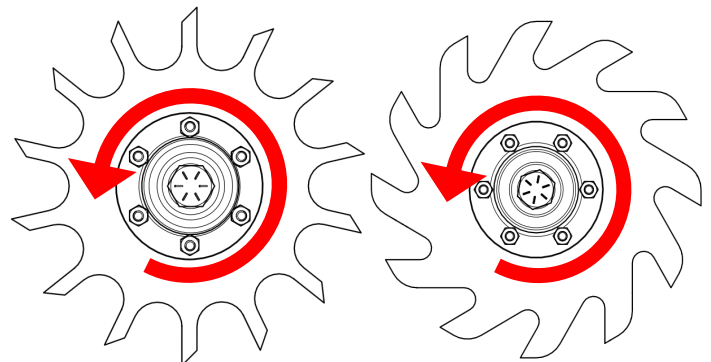
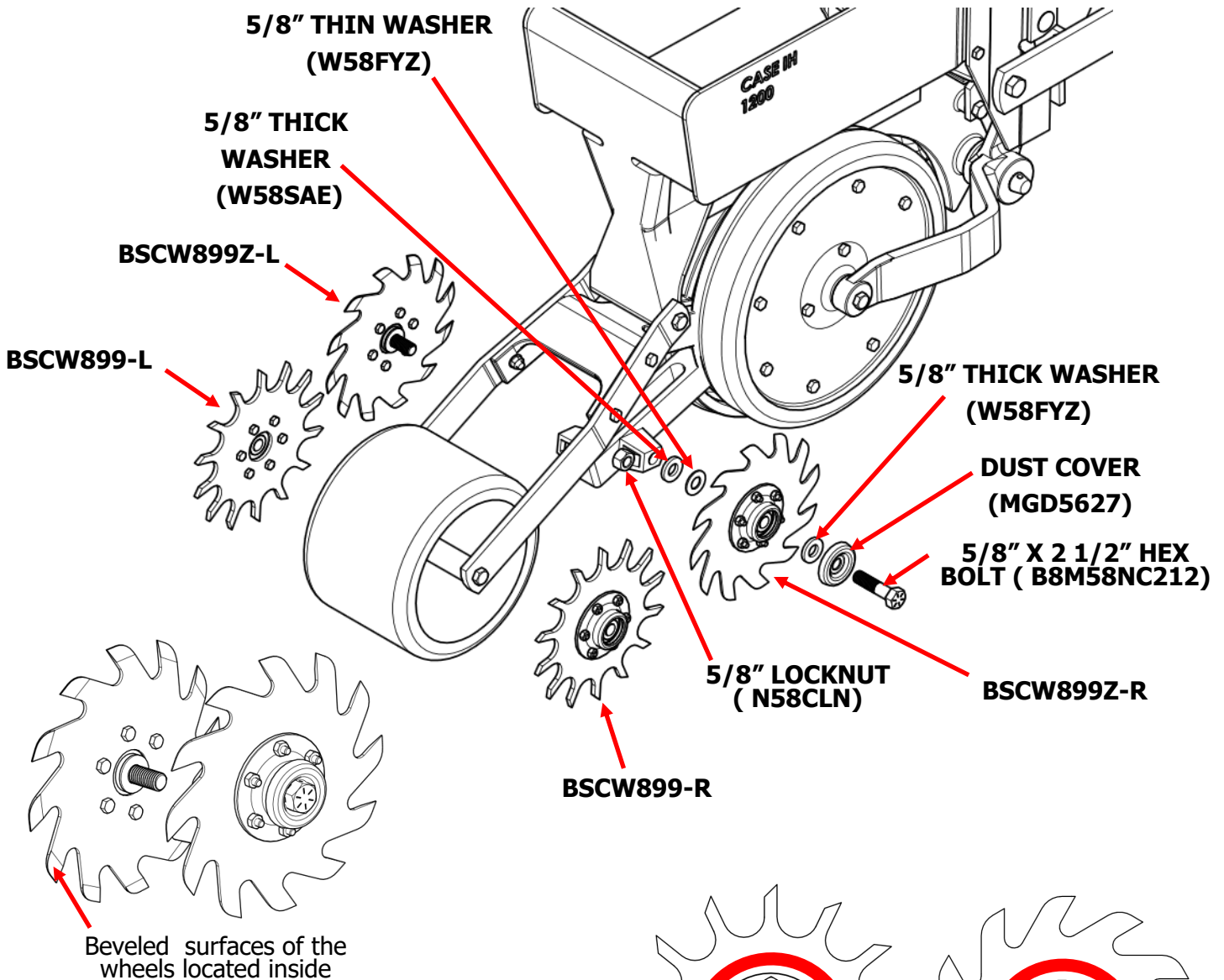
www.martintill.com



Installation Instructions for BSCW-899 and BSCW-899-Z

- 1) Remove the existing covering disks.
- 2) Pass the provided 5/8" bolt through the Dust Cover and one thick 5/8" washer as shown below.
- 3) Pass the bolt through the hub and add one thin and one thick 5/8" washers.
- 4) Insert the 5/8" Lock nut inside the planter's arm and attach the assembly to the planter. Tighten the bolt to 112 ft-lbs. Be sure rotation direction is as shown in the pictures for both wheels. Use the wheel on the opposite side if the rotation direction is opposite. For BSCW 899Z, make sure that the beveled side of both wheels are located inside.

Note: Closing wheel pressure may have to be varied to obtain desired results.



Rotation Direction

Hardware Provided

- | | |
|------------------------------------|-------|
| 1) 5/8" x 2 1/2" Bolt (B8M58NC212) | Qty 2 |
| 2) 5/8" Lock Nut (N58CNL) | Qty 2 |
| 3) 5/8" Thick Washer (W58SAE) | Qty 4 |
| 4) 5/8" Thin Washer (W58FYZ) | Qty 2 |
| 5) Dust Cover (MGD5627) | Qty 2 |